

SPC Flooring

Installation instructions



DO

- ✓ Always mix planks from multiple packs during installation to limit shade variation
- ✓ Allow expansion gaps at all perimeters to allow the floor to expand and contract during temperature changes
- ✓ Follow instructions from your glue manufacturer if using a glue down method
- ✓ Place your body in a manner that you will be pushing on the pieces whilst installing, as opposed to pulling on them

DON'T

- X Screw the SPC flooring to its substrate
- X Install permanent, heavy furniture such as cabinets on top of the SPC flooring, unless using a glue down installation method
- X Hit on the pieces of flooring – they simply need to be pressed on firmly for the locking system to activate

SPC Flooring

Pre Installation

STORAGE

Rockwood floors must be stored on a flat surface, in a dry and ventilated area. Do not store the panels in cold (below 0°C), very hot (above 35°C) and humid areas.

1.0 Check prior to installation

1.1 Batch.

The buyer should be aware that individual production batches of the Rockwood floors may slightly differ in shades. Therefore, floors from one production batch should be installed within one room.

Check the conformity of the production batch before starting the installation. The production batch number can be found on the Rockwood's packaging, on the front label (i.e. "Batch no"). To facilitate the identification of the installed floors' production batch in the after-sales processes, take a photo of the front label of the installed floors' packaging, with the production batch number clearly visible.

1.2 Damage.

Check the product prior to installation for any damages such as breaks, cracks, large scratches etc. If you notice any issues with the product before installation do not proceed and contact a member of the specification team.

2.0 Acclimatization

Rockwood floors require no special acclimatization. However, we recommend to leave the panels at a constant room temperature (18°C - 29°C) for 24 hours to ensure that the flooring panel temperature equalizes with that of the room and guarantee optimal panel parameters for installation.

Do not expose the SPC panels to sudden temperature changes during installation (e.g. delivery in freezing weather to a heated room and proceeding with the installation without acclimatization time).

3.0 Underlay

For floating installation of the Rockwood, additional sound absorbing underlay must be used. Use the dedicated ACC2010 NXT Underlay to keep full warranty rights.

4.0 Sub-floor

4.1 Levelling

Rockwood floors require the subfloor to be levelled up to 5 mm difference for a 2 m batten. When installing the Rockwood floors in public areas with heavy traffic, it is recommended to level the subfloor with levelling compounds.

4.2 Adhesive

Glue the floor using the recommended adhesive system. When preparing the substrate for glued floors and when gluing the floors, the instructions and guidelines for adhesive systems must be followed. For more information, please contact the specification team.

4.3 Underfloor Heating

The Rockwood floorboards can be installed on a water or electric underfloor heating system. DO NOT use electric heating mats that are not embedded in a concrete or anhydrite screed.

The underfloor heating system's heat source must be at least 15mm from the SPC panels.

IMPORTANT

The precondition for laying the floorboards on an underfloor heating system is to conduct the screed heating process and prepare a screed heating report. The information on the screed heating and the screed heating report are available from the manufacturer.

The screed heating process should also be performed in the summer. When gluing to the substrate, follow the recommendations of the manufacturers of the adhesive systems recommended by the manufacturer.

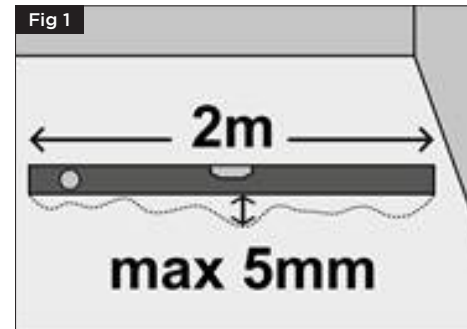
The limit above which the heating system should not be set is 27°C on the panel surface. The screed moisture content for installation on an underfloor heating system should not exceed: 1.8% for cement screeds measured by the CM method, and 0.3% for anhydrite screeds measured by the CM method.

4.4 Substrate Conditions

Larger cracks and damage to the screed must be repaired before installation.

The table below indicates the allowable deviations and imperfections of various substrates when installing the Rockwood SPC.

If the table does not refer to your specific flooring product contact the specification team.



5.0 Allowable Deviations and Imperfections of Flooring Substrate

Sub Floor Type	Installation Allowed	Conditions
Cement Screed	Yes	Maximum difference of 5 mm on 2 m battens
Anhydrite Screed	Yes	Maximum difference of 5 mm on 2 m battens
Ceramic Tiles, Stone, Marble (not jointed)	Yes	Maximum joint size: 7 mm wide /2 mm deep/ 2 mm offset between tiles
Compact PVC Floor Coverings	Yes	If the damaged area does not exceed 10% of the surface area. Local dents must be filled in
Resin and Painted Floors	Yes	If the damaged area does not exceed 10% of the surface area. Local dents must be filled in
Floating Flooring	No	The old flooring must be removed before installation
Carpet Flooring	No	The old flooring must be removed before installation
Outdoors	No	Installation not allowed

Substrate Moisture Content

To avoid the development of bacteria and mould under panels in use: The installation site should be adequately heated and dried. The substrate moisture content must be measured in at least 5 different points and the moisture level should be below 2% CM (for cement screed) and 0.5% CM (for anhydrite screed).

Any questions please contact a member of the Specification team specification@akirby.com

SPC Flooring

5G Installation

1. Begin installation at the corner of the room and proceed from the wall with the tongue facing the wall. Allow a minimum gap of 10mm for product expansion. Transition mouldings or baseboards will cover the gap.

2. The temperature of a room can vary due to differences between the seasons. There your SPC flooring must be able to expand and contract in all directions. The greater the surface areas, the greater the room for expansion required.

3. For rooms up to 7.7m wide and 12.3m long, allow 10mm expansion gap around the perimeter and 10mm expansion gap at all walls or near anything that is fixed to the flooring substrate.

4. A gap must be allowed around all pipes and at all thresholds or obstacles.

5. For rooms over the above stated sizes, an additional expansion joint must be inserted so that the maximum runs are limited to the above sizes.

6. Expansion joints are also required in doorways, and between adjoining rooms or areas where adjacent flooring is installed. Use a T-moulding to cover the expansion joint.

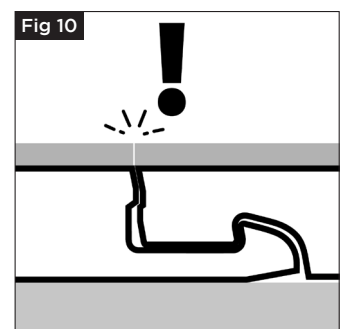
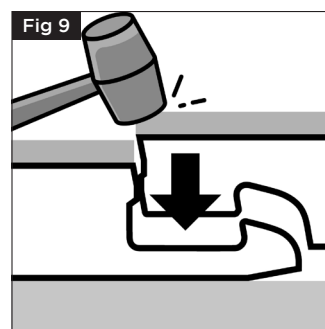
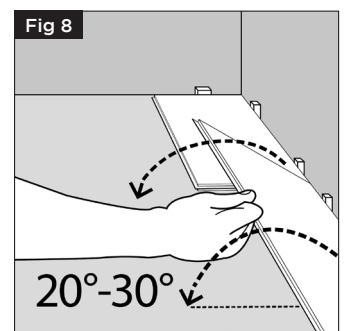
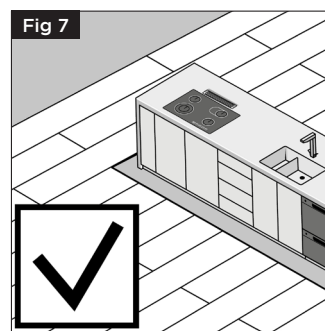
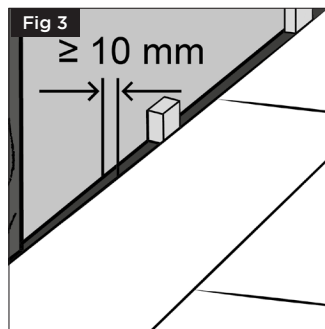
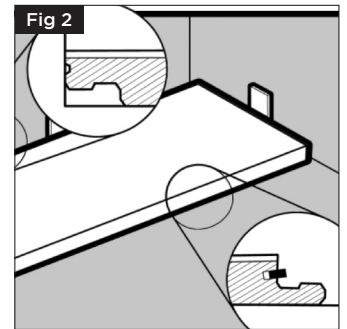
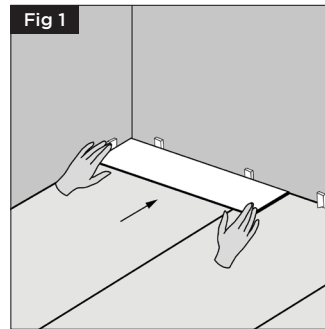
7. In circumstances where movement of the floor may be restricted by heavy furniture or accentuated by high traffic, we recommend to glue the floor to its substrate by using a non-releasing glue that is recommended for SPC flooring.

Fixed furniture (e.g. cupboards or wardrobes) should be installed before the floor, or these elements should be separated from the floor with expansion gaps. The only exception is when the unit weight of the fixed furniture does not exceed 300 kg (equal load), or the point load (legs) does not exceed 150 kg per one leg (e.g. a lightweight kitchen unit without a stone worktop and built-in appliances).

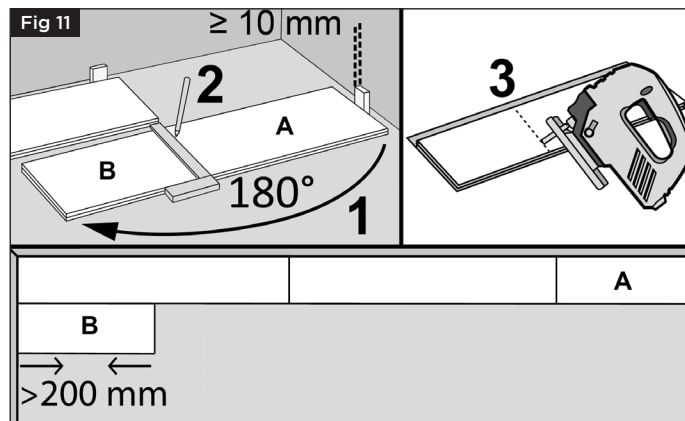
8. Lay the next panel with its long edge along the wall and lock the short edge by pressing the panel vertically down.

9. We connect the locks on 2 panels on the short edges. The connected locks have to be tapped by non-rebound rubber.

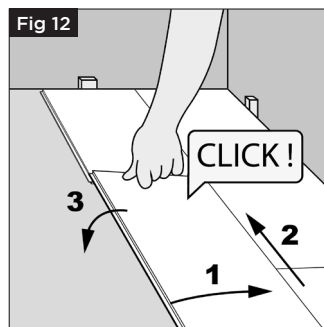
10. Check the joint by running your finger over the joint and attempting to lever the board upwards. A correctly engaged joint shouldn't be unfasted without the use of force.



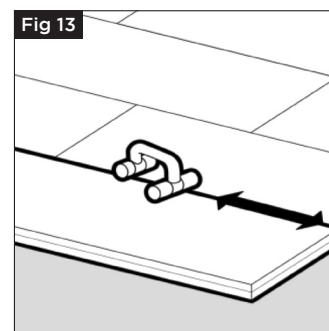
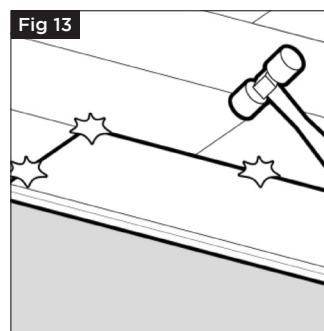
11. Handsaw or electric saw can be used for cutting the panels. After cutting the last panel, remember to leave an expansion gap of at least 10 mm in width. If the cut-off panel piece is longer than 200 mm, it can be used for starting the installation of another flooring row. The distance between frontal joints in two adjacent rows of the floor should be at least 200 mm.



12. When laying the following rows, insert the first panel at a 20° angle into the LONGITUDINAL groove of the panel lock of the previous row, then gently push the panel down to the floor. Insert the next panel in a similar manner, without pressing the element completely to the floor, then slide it gently over the lock of the short side of the previous panel and press the whole element gently to make the short joint.

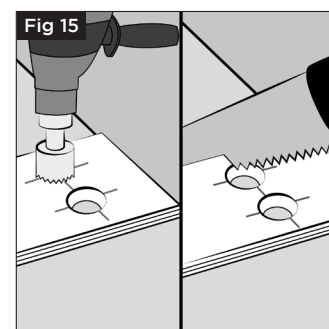
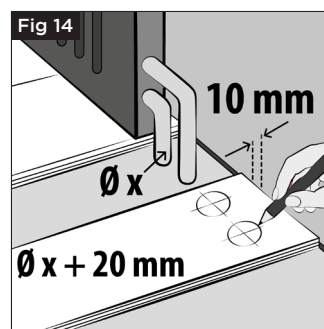


13. Use a non-rebound rubber mallet and a dedicated striking tool to close the joints if required. If necessary, use a pressure roller for final levelling of the joint edges.



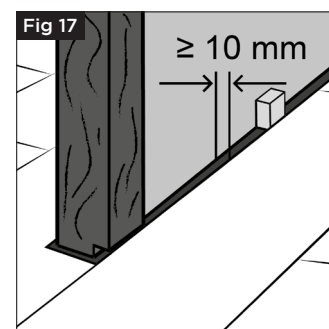
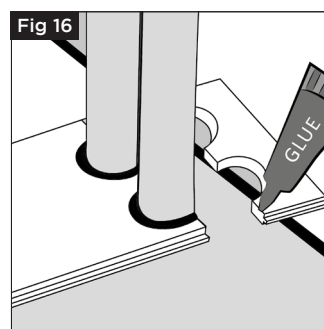
14. For the panels to be laid near the radiator tubes, draw the openings with a diameter larger by 20 mm.

15. Cut the openings in the panel. Draw a line across the middle of the openings and use the saw to cut the panel.



16. Bond the cut-off panel piece with construction adhesive.

17. There is no need to make an expansion gap in the passage from one room to another. The expansion gap must be made at the walls and other elements permanently embedded into the building e.g. stairs, columns and other obstacles.



SPC Flooring

2Gi Click Installation

1. Begin installation at the corner of the room and proceed from the wall with the tongue facing the wall. Allow a minimum gap of 10mm for product expansion. Transition mouldings or baseboards will cover the gap.

2. The temperature of a room can vary due to differences between the seasons. There your SPC flooring must be able to expand and contract in all directions. The greater the surface areas, the greater the room for expansion required.

3. For rooms up to 7.7m wide and 12.3m long, allow 100 expansion gap around the perimeter and 10mm expansion gap at all walls or near anything that is fixed to the flooring substrate.

4. A gap must be allowed around all pipes and at all thresholds or obstacles.

5. For rooms over the above stated sizes, an additional expansion joint must be inserted so that the maximum runs are limited to the above sizes.

6. Expansion joints are also required in doorways, and between adjoining rooms or areas where adjacent flooring is installed. Use a T-moulding to cover the expansion joint.

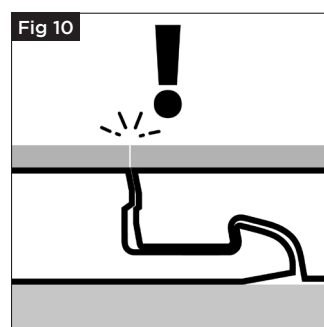
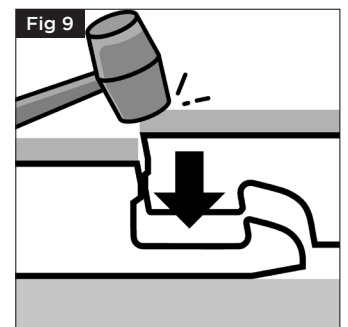
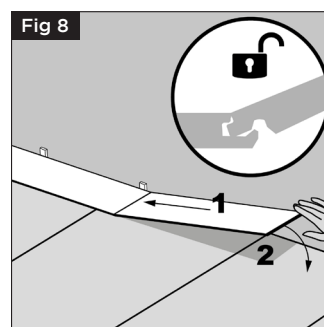
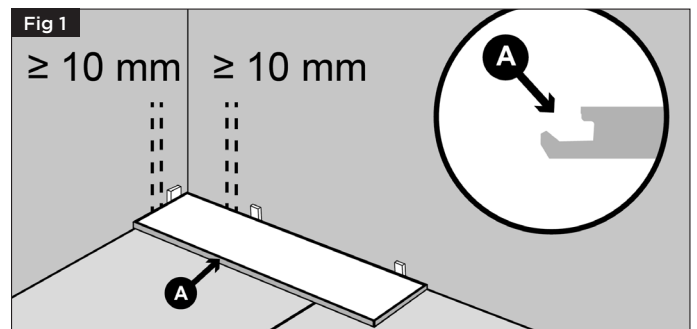
7. In circumstances where movement of the floor may be restricted by heavy furniture or accentuated by high traffic, we recommend to glue the floor to its substrate by using a non-releasing glue that is recommended for SPC flooring.

Fixed furniture (e.g. cupboards or wardrobes) should be installed before the floor, or these elements should be separated from the floor with expansion gaps. The only exception is when the unit weight of the fixed furniture does not exceed 300 kg (equal load), or the point load (legs) does not exceed 150 kg per one leg (e.g. a lightweight kitchen unit without a stone worktop and built-in appliances).

8. Place the short edge of the next panel at an angle of approx. 20° to the first one and lay it down. The joined panels must be perfectly in line.

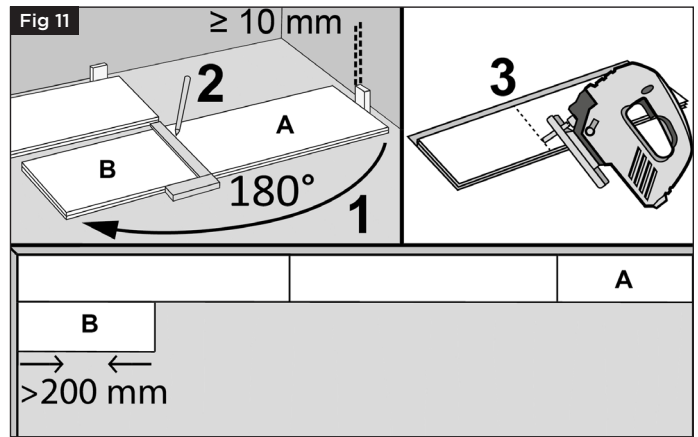
9. We connect the locks on 2 panels on the short edges. The connected locks have to be tapped by non-rebound rubber.

10. Check the joint by running your finger over the joint and attempting to lever the board upwards. A correctly engaged joint shouldn't be unfasted without the use of force.



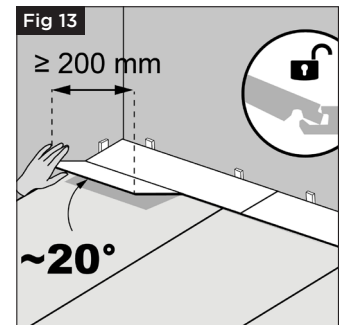
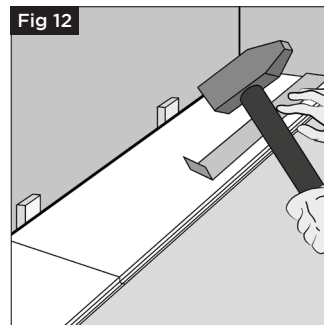
11. Handsaw or electric saw can be used for cutting the boards. After cutting the last panel, remember to leave an expansion gap of at least 10 mm in width. If the cut-off panel piece is longer than 200 mm, it can be used for starting the installation of another flooring row. The distance between frontal joints in two adjacent rows of the floor should be at least 200 mm.

The last panel in the first floor row can also be cut off with a sharp cutting knife, provided that the length of the cut-off section is about 300 mm. Cut the top layer several times and then break the panel by resting it on a straight edge. 12. Tap the last board lightly with a metal pull bar to close possible gaps.

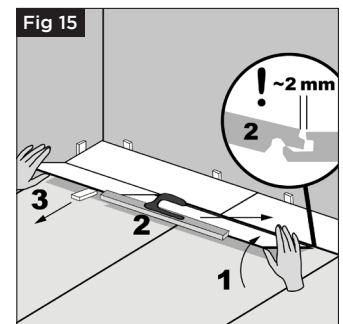
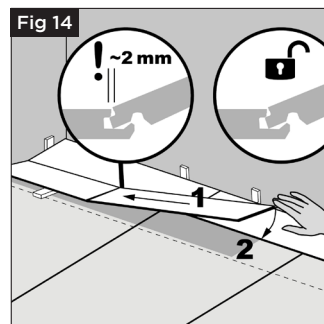


12. Tap the last board lightly with a metal pull bar to close possible gaps.

13. Place the panel in the second row of the floor at an angle of approx. 20° in the longitudinal lock of the first panel.



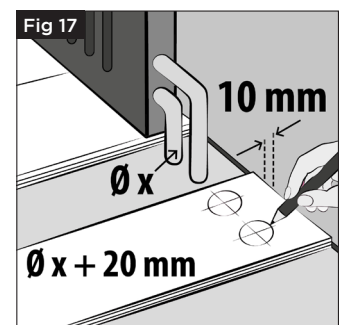
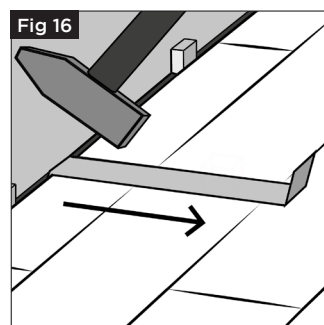
14. The second panel in a row is installed by joining shorter edges of the boards. Lift the first panel at an angle of approx. 20° (you can use support wedges), lift the second one at an angle of approx. 20° in relation to the first one; insert it in the short edge (1) and then lay down so that the board rests on the longitudinal lock of the first row (2). It is important to push the lifted board closer to the longitudinal lock leaving ca. 2 mm gap.



15. Leave ca. 2 mm gap at the longitudinal lock of the first row of the panels! Then gently tap the panel at the longitudinal lock. This installation is done with the panels lifted at an angle of about 20°. Then remove the wedges supporting the panels. Gently lay down the panels tapping them along the entire floor row (be careful not to damage the panel lock). The tapping block touches the lock external part. Do not tap on the wear layer.

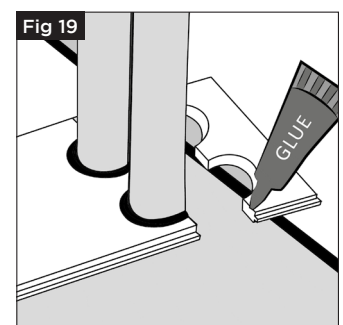
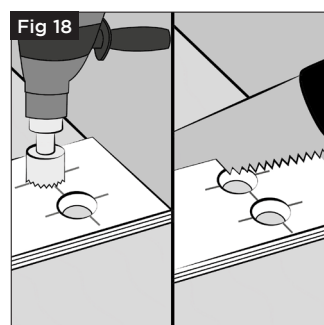
16. Use the metal pull bar to tap the last row of the boards.

17. For the panels to be laid near the radiator tubes, draw the openings with a diameter larger by 20 mm.

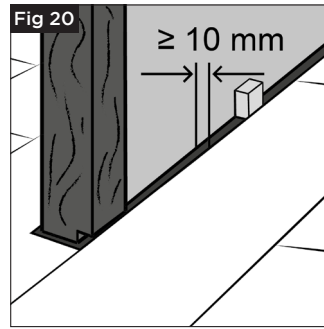


18. Cut the openings in the panel. Draw a line across the middle of the openings and use the saw to cut the panel

19. Bond the cut-off board piece with construction adhesive.



20. There is no need to make an expansion gap in the passage from one room to another. The expansion gap must be made at the walls and other elements permanently embedded into the building e.g. stairs, columns and other obstacles.



ACCESSORIES AND FINISHING

Once the installation is done, remove the wedges and fix skirting boards to the wall. DO NOT USE any compound, silicone or acrylic putty to fill the expansion gaps. Contact A&K technical support team for information on the accessories available

